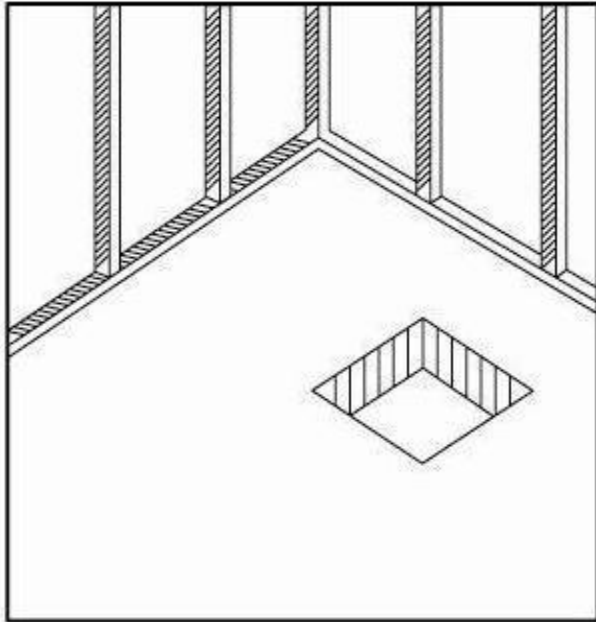
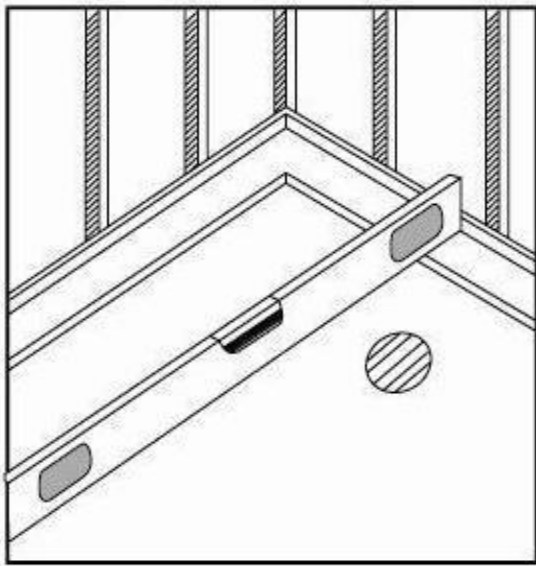


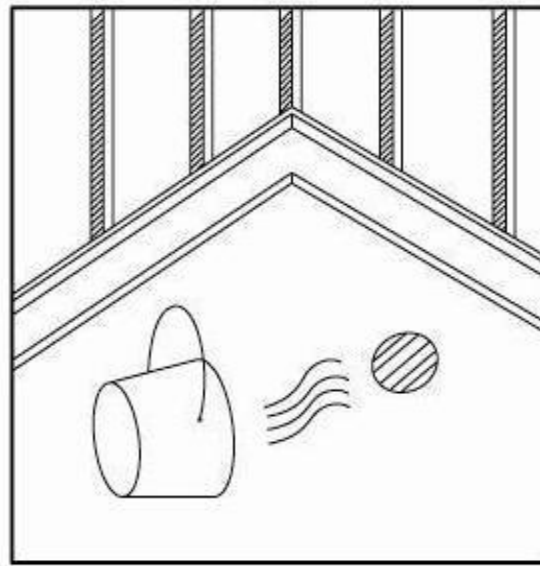
INSTALLATION INSTRUCTIONS



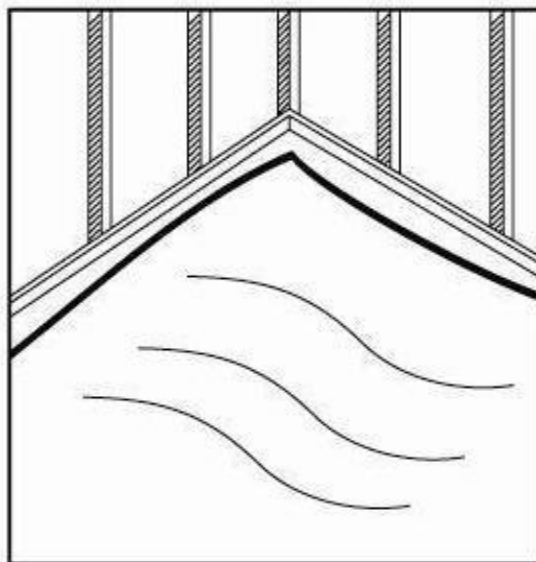
1. *Floor Boards & Sheet Flooring 200mm x 200mm cut out
*Concrete cut out 300mm x 300mm



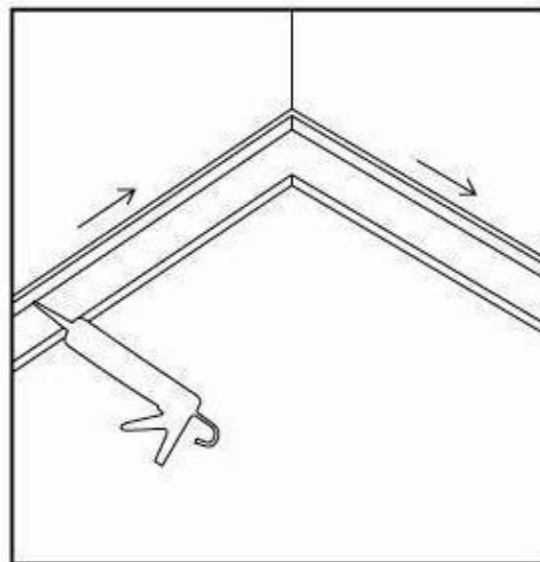
2. *Check that the Shower Base sits level.



3. *Test the water flow.



4. *Cover and protect the Shower Base until shower screen & tiles are installed.



5. *Silicone the bottom edge of the Shower Wall to the base before the screen is fitted.

Water resistant plaster board installation. shower base has a tile flange. Place base against framework, install water resistant plaster board directly on top of tile flange and seal joint with flexible silicone sealant.

Villa board installation. When using villa board the shower base will need to be checked into framework a minimum of 3mm. Install villa board directly on top of tile flange and seal joint with flexible sealant.

1. Floor boards or sheet flooring must cover the entire underside of the base. Cut hole through floor no greater than 200mm x 200mm (concrete should be 300mm x 300mm).

2. Your shower base may be installed on silicone over entire base area. Lay base on floor and check for level both sides and front&rear. This will allow base to drain effectively as it has inbuilt fall to waste outlet.

Note: If your floor is not level use a cement based tile adhesive spread on floor with a 12mm notched trowel to ensure base is fully supported.

3. Finally it is imperative to test for water run off to the waste outlet prior to lining shower walls. This will ensure base is draining correctly. Failure to do so will breach the warranty.

4. It is recommended that you cover and protect the base until first use.

5. Silicone the bottom edges of the shower wall to the base before the screen is fitted.

Cleaning

The surface of this base will resist surface build-up. However, to preserve its high lustre it may be cleaned with a soft cloth using warm soapy water or household detergent.

Avoid All Forms Of Abrasive

If accidental abrasions occur the surface brilliance can be restored by polishing with silicone-based polish.

Warranty

shower base has a warranty for 12 months against faulty materials or workmanship.

Warning

Warranty will be voided if temperature from tap exceeds 55 C and above instructions are not adhered to exactly.