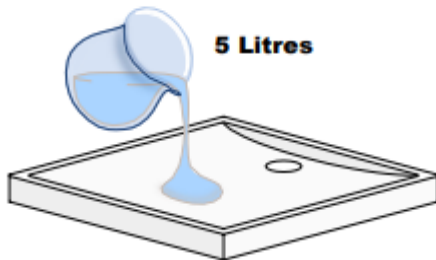




HEAD OFFICE:
 Paramount Blvd.
 Derrimut Vic 3030
 Tel: 03 8390 6300 Fax: 03 8390 6366
 EMAIL: ectglo@bigpond.net.au
 WEBSITE: www.ectglobal.com.au

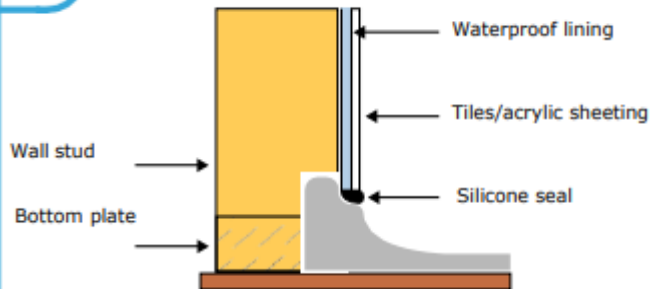
Polymarble Showerbase Installation instruction

1 Water test base



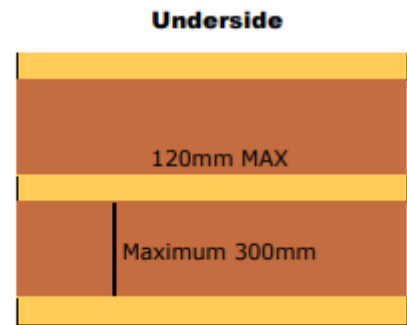
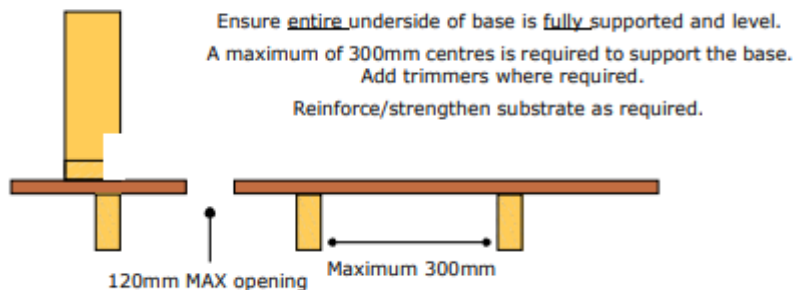
Put base on a level surface and water test with 5 litres of water to ensure it drains correctly. If this is not possible, a small spherical object placed in each corner will suffice.

2 Prepare the wall studs



These bases are designed to be installed in a stud wall. Make sure there is clearance between the base's tile lip and the wall stud to allow for any movement.

3 For installation on timber/steel substrate

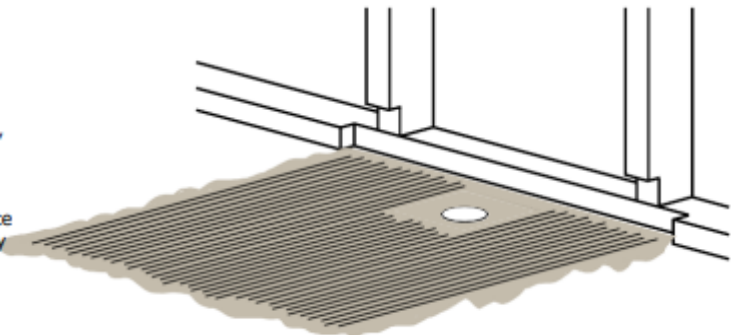


4 Lay/level base

If substrate is level:

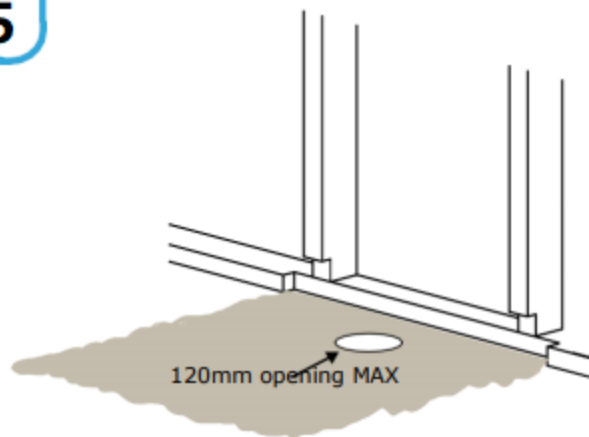
- ◆ Spread a minimum 10mm of tile adhesive over entire area, slightly wider than where base is to sit. This is to ensure entire base is bedded adequately.
- ◆ Screed/rake adhesive using a 10mm tile comb. Gently place base onto adhesive with outside edge of base resting firmly against stud frame.

If substrate is not level, see next step.



If substrate is not level

5

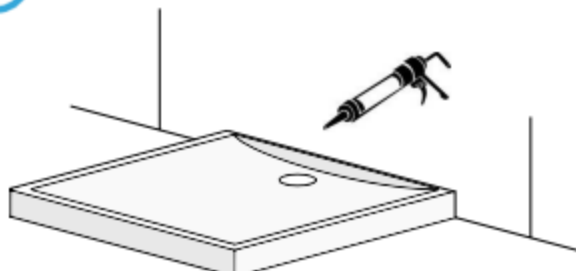


Mortar bed must be used on uneven surface

- ◆ Spread 10mm thick mortar mix (4:1 washed sand/cement) over entire area where base is to be installed. Do not use silicone or liquid nails to install base on uneven surface.
- ◆ Ensure the base is completely supported, level, then repeat water test (adjust on mortar accordingly until correct drainage is achieved).

7

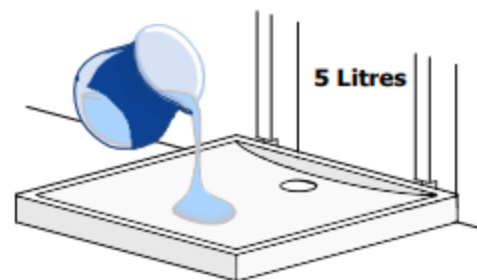
Seal the base



- ◆ Use appropriate amount of silicone to seal edges of base.
- ◆ Protect surface (with cardboard overlay) until ready to use. ECT GLOBAL will take no responsibility for surface damage that occurs during/after installation.

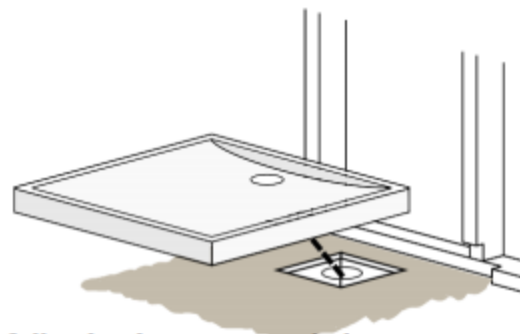
6

Water test after install



- ◆ Use a spirit level to confirm that the base is installed level.
- ◆ The base must be completely supported by the adhesive/mortar.
- ◆ Finally, check to see that the base drains (adjust appropriately until this is achieved).

When using a smart pan



The following is recommended:

- ◆ Leave the lid in-situ.
- ◆ Place base over lid - use marker to trace outlet onto lid. Use hole saw to cut 55mm hole into lid.
- ◆ To prevent mortar falling into the pan, insert an appropriately-sized length of PVC pipe that can be removed once the mortar sets.
- ◆ Spread 10mm thick mortar mix (4:1 washed sand/cement) over entire area where base is to be installed.
- ◆ The base must be completely supported and level.
- ◆ Repeat water test (adjust on mortar until correct drainage is achieved).

Care and maintenance

DO NOT USE - Automatic dishwashing detergent, abrasives, bleaches, acid based chemicals or ammonia. Wash surface with mild detergent. These rules also apply to our chrome plated plastic outlets. For optimal results, use a cleaner recommended for fibreglass composites.

7-year Warranty information

ECT offers 7 years warranty on polymarble shower bases. In the event that a legitimate fault is identified in a product - as a result of workmanship or faulty materials, it will be replaced or repaired.

It is the responsibility of the purchaser to check the product for any defects or damage prior to installation.

Failure to do so will void any warranty. Failure due to other causes, including the use of other than

recommended installation procedures is not covered by the warranty. ECT will not honour warranty claims if :

- ◆ Installed using tile adhesive on an uneven surface. Installed on an uneven surface, on anything other than a mortar bed.
- ◆ Cracked as a result of ground movement. Been installed out of level.
- ◆ Has been cleaned using harsh chemicals
- ◆ Damaged caused by the plumbing.
- ◆ Damaged during transport, but claimed after installation.
- ◆ If the shower base is to be installed on a smart pan, and the 'smart pan' instructions have not been followed
- * Water temperature exceeds 55 degree